

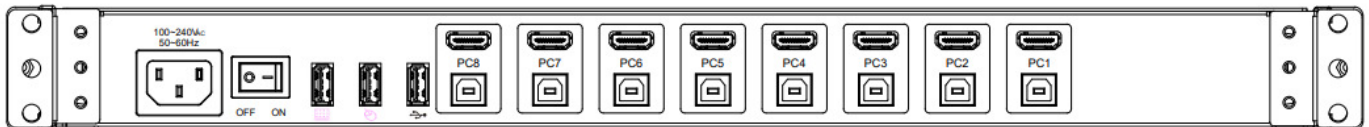
**Model** : ATZ LK1708SWUHD-SD

**Description** : 17.3" 4K (3840 x 2160) 8 ports HDMI 2.0 LCD KVM Console (Short Depth)

- Optimize rack space. Maximize rack monitoring -



(USB Port for device access)



**Rear of ATZ LK1708SWUHD-SD**

ATZ HDMI LCD console drawers provide a variety of features that simplify access to servers for system monitoring, troubleshooting and software upgrades. The self-locking rails when in the fully extended open position and the ultra convenient auto lock release when the LCD panel is closed, made for simple and hassle-free operation. Available with 17.3" 4K A-Grade LCD panels, integrated 8 ports USB-HDMI KVM switch.

pg. 1

**Notes:** - All brand names and trademarks are properties of their respective holders and are referred to here for descriptive purpose only. Photo attached is for reference only, it may be slightly varied in items of colour, shape from the actual item delivered from time to time.

All specifications are subject to change without prior notice.

© Copyright ATZ

**Model** : ATZ LK1708SWUHD-SD

**Description** : 17.3" 4K (3840 x 2160) 8 ports HDMI 2.0 LCD KVM Console (Short Depth)  
- Optimize rack space. Maximize rack monitoring -

### Features:

- 17.3" 4K 3840 x 2160 resolution
- Support 1920 x 1080 & 1920 x 1200 resolution
- Support USB-HDMI interface.
- 8 ports HDMI 2.0 input
- Front 1x USB, Rear 1x USB 2.0 Type A, Sharing USB peripheral Device for computer (ex, flash disk, hard driver, KB/Mouse).
- Additional two USB console port to add local KB/Mouse.
- Build in 2x 2 watts stereo speakers.
- Durable 104-key keyboard and touch pad.
- Quick and simple installation.
- Self-locking and auto release rails for ultra convenience.
- Port selection via push buttons or hotkey.

### Specifications:

Part No.		ATZ LK1708SWUHD-SD
Direct no. of Computers		8
Maximum no. of Computers		8
Computer Input Connectors		8x HDMI Type-A (Female) 8x USB2.0 Type B (Female)
LCD	Size	17.3"
	Backlight	LED
	Resolution	17.3" 4K 3840 x 2160 resolution
	Max.color	16.7M
	Luminance	400cd/m2
	View Angel (H/V)	178 / 178
	Contrast Ratio	1000 : 1
Port Selection		Push Button, Hotkey



**Model** : ATZ LK1708SWUHD-SD

**Description** : 17.3" 4K (3840 x 2160) 8 ports HDMI 2.0 LCD KVM Console (Short Depth)  
 - Optimize rack space. Maximize rack monitoring -

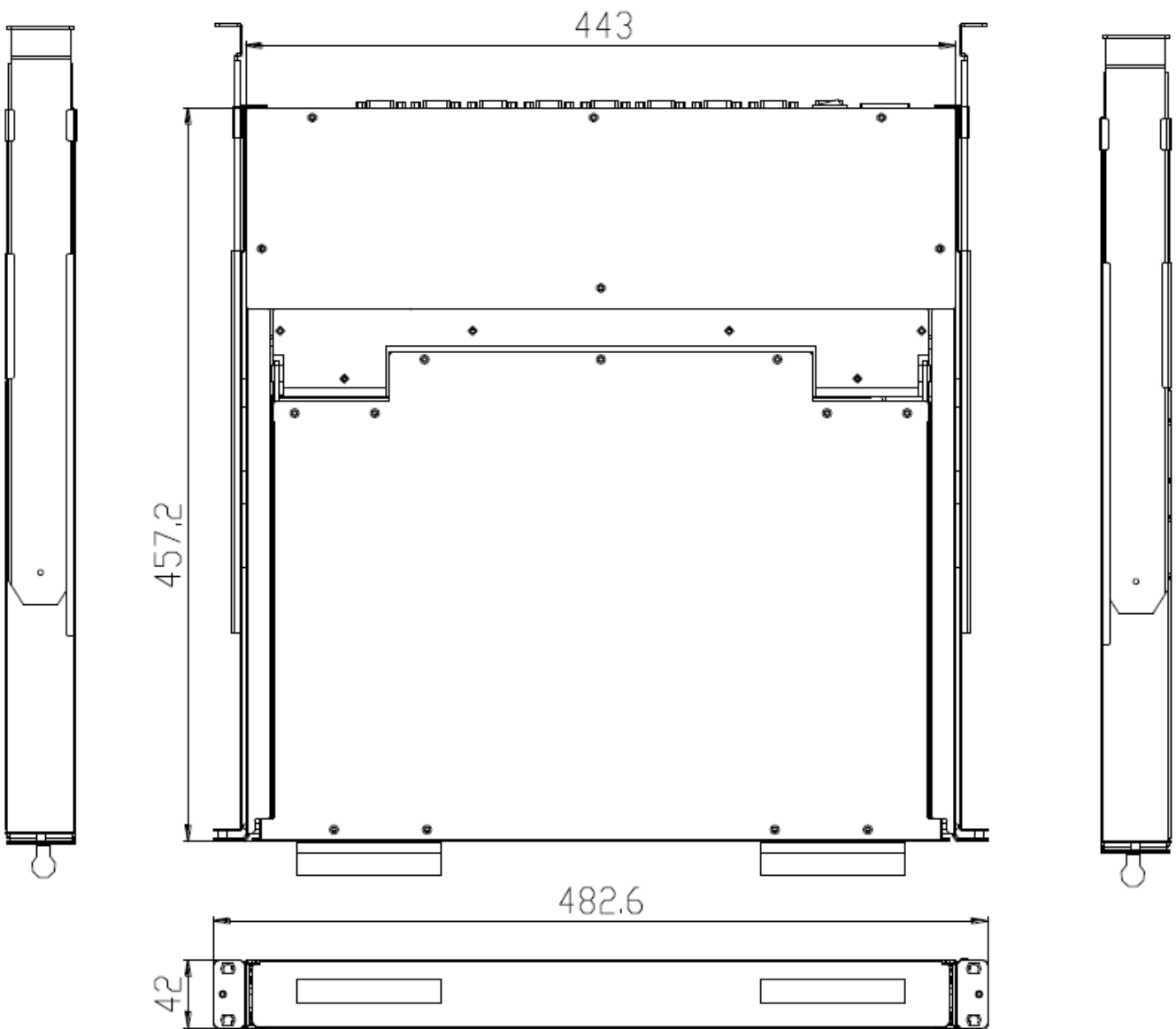
USB Local console	Yes , USB x2 for KB/ Mouse
USB HUB	1x Front , 2xRear USB 2.0 Type A for Peripheral USB Device
Touch Screen	Yes , for option ( Driver needed )
KB/Mouse Emulation	USB
Rack Depth	450mm to 650mm ( rack cabinet front rails to rear rails )
Power	100-240V AC 50/60Hz via IEC Type power cord
Environment	Operation temp: 0 to 50°C Storage temp: -20 to 60°C Humidity: 10% - 90%, non-condensing Shock: 10G acceleration ( 11ms duration) Vibration: 17 to 500Hz 1G PTP
Physical Dimensions / Net Weights	443x42x457.2mm (WxHxD) /11KG
Packing Dimensions / Gross weights	710x190x620mm (WxHxD) / 16.5KG
<b>Accessory</b>	
1.8meter IEC Type Power Cord	
<b>Related Items</b>	
ATZ HDMI-CABLE-V2.0-2M	2 meter HDMI v2.0 Cable
ATZ USBAB2M	2 meter USB Cable

**Model** : ATZ LK1708SWUHD-SD

**Description** : 17.3" 4K (3840 x 2160) 8 ports HDMI 2.0 LCD KVM Console (Short Depth)

- Optimize rack space. Maximize rack monitoring -

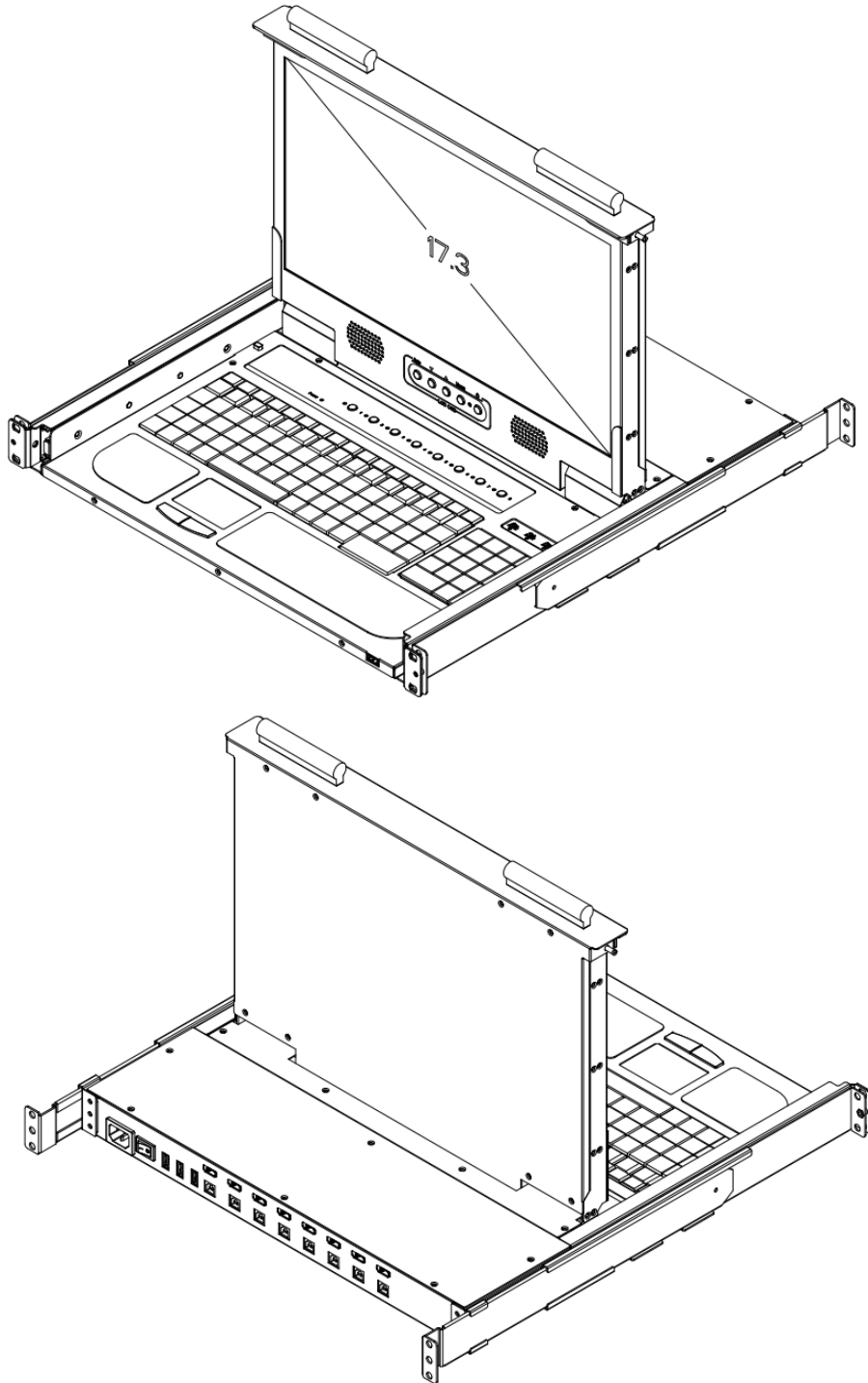
## Product Diagram:



**Model** : ATZ LK1708SWUHD-SD

**Description** : 17.3" 4K (3840 x 2160) 8 ports HDMI 2.0 LCD KVM Console (Short Depth)

- Optimize rack space. Maximize rack monitoring -



pg. 5

**Notes:** - All brand names and trademarks are properties of their respective holders and are referred to here for descriptive purpose only. Photo attached is for reference only, it may be slightly varied in items of colour, shape from the actual item delivered from time to time.

All specifications are subject to change without prior notice.

© Copyright ATZ



**Model** : ATZ LK1708SWUHD-SD

**Description** : 17.3" 4K (3840 x 2160) 8 ports HDMI 2.0 LCD KVM Console (Short Depth)

- Optimize rack space. Maximize rack monitoring -

---

### **Warranty: 3 Years**

Warranty is effective from the date of original delivery.

This warranty shall be void if a serial number has been removed from the product.