

Model : ATZ HDBT-E100B

Description : HDBaseT™ Extender over Cat5e/Cat6, 18Gbps 4K@60 (100m)
[TX/RX]



The 18Gbps HDMI Extender is a tool which can extend your HDMI signal over 328fts/100meters to a compatible display. It is designed to convert HDMI signal to standard HDBaseT signal which can be transmitted by LAN cable. It also supports Transfer Bidirectional Infrared control signal together with the HDMI signal, so you can control the Source in the Sink side which is 328fts outside, also you can control the Sink in the Source side which is 328fts outside by using the HDMI Extender.

Features:

- HDMI 2.0b (18Gbps), HDCP 2.2 and DVI compliant
- Video resolutions up to 4K2K@50/60Hz (YUV444)
- 10bits HDR (High Dynamic Range) pass through
- Supports HDMI High Bit Rate(HBR) audio pass through
- Supports CEC bypass

pg. 1

Notes: - All brand names and trademarks are properties of their respective holders and are referred to here for descriptive purpose only. Photo attached is for reference only, it may be slightly varied in items of colour, shape from the actual item delivered from time to time.

All specifications are subject to change without prior notice.

© Copyright ATZ

Model : ATZ HDBT-E100B

Description : HDBaseT™ Extender over Cat5e/Cat6, 18Gbps 4K@60 (100m)
[TX/RX]

- POC (Power Over Cable) function is supported, either TX or RX is powered by 24V@1A power supply, the other does not need power supply from the DC jack. POC Power consumption is less than 10W.

※ **See the description 1.**

Transfer Bidirectional Infrared control signal together with the HDMI signal.

※ **See the description 2.**

Transfer Bidirectional RS232 control signal together with the HDMI signal.

※ **See the description 3.**

Transfer Bidirectional Ethernet signal together with the HDMI signal.

※ **See the description 4.**

Transmission distance: ※Over CAT6 cable

100 meters: 1080P @60Hz@36bit; 3D1080P@30Hz@36bit; 4Kx2K@30Hz@24bit

70 meters: 1080P @60Hz@48bit; 1080P @120Hz@24bit; 3D1080P@60Hz@36bit; 4Kx2K@30Hz@24bit. 4K2K@50/60Hz (YUV420), 4K2K@50/60Hz (YUV444)

Specifications:

Technical	
HDMI Compliance	HDMI 2.0b
HDCP Compliance	HDCP 2.2 and HDCP 1.4
Video Bandwidth	18 Gbps
Video Resolutions	up to 4K2K@50/60Hz(YUV4:4:4), 4K2K@30Hz, 1080P@120Hz, and 1080P 3D@60Hz
Color Space	RGB, YCbCr 4:4:4, YCbCr 4:2:2
Color Depth	10-bit, 12-bit

Model : ATZ HDBT-E100B

Description : HDBaseT™ Extender over Cat5e/Cat6, 18Gbps 4K@60 (100m)
[TX/RX]

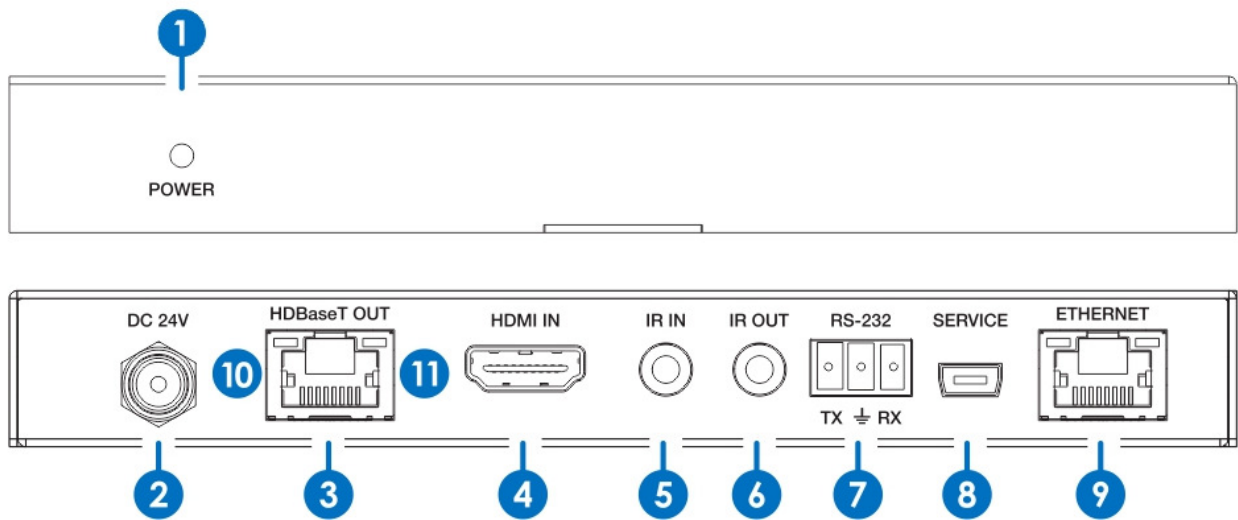
HDMI Audio Formats (Pass-through)	LPCM 2/5.1/7.1CH, Dolby Digital, DTS 5.1, Dolby Digital+, Dolby TrueHD, DTS-HD Master Audio, Dolby Atmos, DTS:X
ESD Protection	Human body model — ±8kV (air-gap discharge) & ±4kV (contact discharge)
Connections	
Inputs	<p>Transmitter :</p> <ul style="list-style-type: none"> 1x HDMI Type A [19-pin female] 1x IR INPUT [3.5mm Stereo Mini-jack] 1x RS232 [Phoenix jack] 1x Service [Mini-USB jack] 1x Ethernet In/Out[RJ45] <p>Receiver:</p> <ul style="list-style-type: none"> 1x HDBaseT In [RJ45] 1x Ethernet In/Out[RJ45] 1x IR INPUT [3.5mm Stereo Mini-jack] 1x RS232 [Phoenix jack] 1x Service [Mini-USB jack]
Outputs	<p>Transmitter :</p> <ul style="list-style-type: none"> 1x HDBaseT Out [RJ45] 1x IR OUTPUT [3.5mm Stereo Mini-jack] <p>Receiver:</p> <ul style="list-style-type: none"> 1x HDMI Type A [19-pin female] 1x IR INPUT [3.5mm Stereo Mini-jack]
Mechanical	
Housing	Metal Enclosure
Color	Black
Dimensions	157mm [W] x 90mm [D] x 20mm [H]
Weight	333g
Power Supply	Input: AC100 - 240V 50/60Hz Output: DC 24V/1A (US/EU standards, CE/FCC/UL certified)
Power Consumption	24W (Max)
Operation Temperature	32 - 104°F / 0 - 40°C
Storage temperature	-4 - 140°F / -20 - 60°C

Model : ATZ HDBT-E100B

Description : HDBaseT™ Extender over Cat5e/Cat6, 18Gbps 4K@60 (100m)
[TX/RX]

Relative Humidity	20 - 90% RH (no condensation)
--------------------------	-------------------------------

Operation Controls and Functions: Transmitter



- 1 Power LED:** System power indicator.
- 2 DC 24V:** Connect 24V/1A adaptor to AC wall outlet for power supply.
- 3 HDBaseT Out:** Standard HDBaseT signal output port. Connect HDBaseT receiver with a UTP cable following the standard of direct interconnection method
- 4 HDMI In:** Connect this to HDMI source devices such as Blu-ray or PS4 player
- 5 IR In:** Channel 2 IR Receiver. Connect with Wideband IR Rx.
- 6 IR Out:** Channel 1 IR Transmitter. Connect with Wideband IR Tx.
- 7 RS-232:** Phoenix jack provide Serial port control signal from receiver or to receiver.
- 8 Service:** Manufacturer use only.
- 9 Ethernet:** This slot provides Internet signal from transmitter or to transmitter.

Model : ATZ HDBT-E100B

Description : HDBaseT™ Extender over Cat5e/Cat6, 18Gbps 4K@60 (100m)
[TX/RX]

10 Connection Signal Indicator Lamp

※Illuminate: The Transmitter and Receiver are in good connections status.

※Flashing: The Transmitter and Receiver are in poor connections status.

※Dark: The Transmitter and Receiver are not connected.

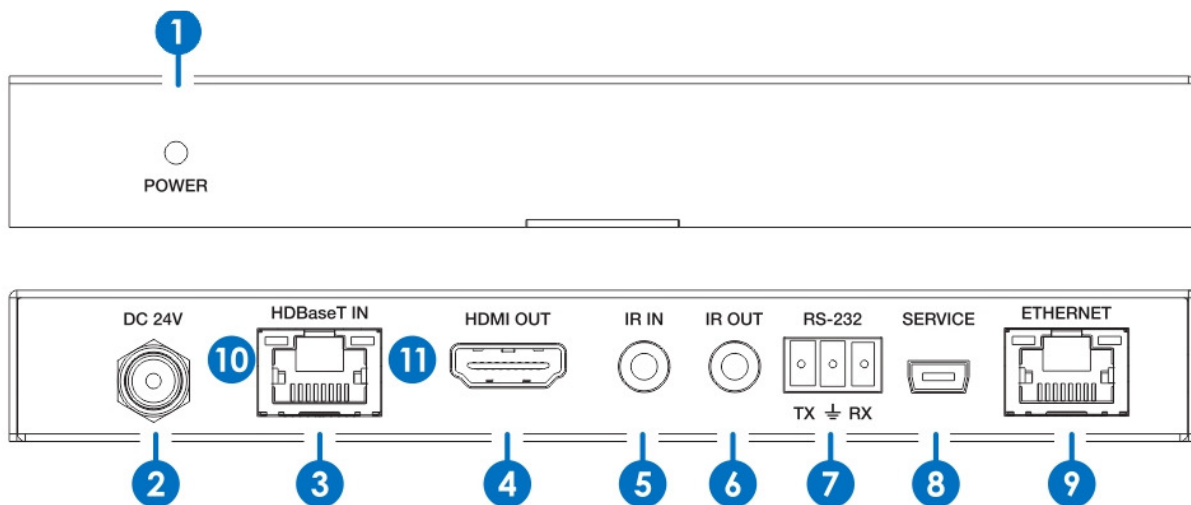
11 Data Signal Indicator Lamp

※Illuminate: The HDMI signal with HDCP.

※Flashing: The HDMI signal without HDCP.

※Dark: No HDMI signal.

Receiver



1 Power LED: System power indicator.

2 DC 24V: Connect 24V/1A adaptor to AC wall outlet for power supply.

3 HDBaseT In: Standard HDBaseT signal input port. Connect HDBaseT Transmitter with a UTP cable following the standard of direct interconnection method

4 HDMI Out: HDMI output port. This slot is where you connect the HDTV or monitor

Model : ATZ HDBT-E100B

Description : HDBaseT™ Extender over Cat5e/Cat6, 18Gbps 4K@60 (100m)
[TX/RX]

with HDMI cable.

- 5 IR In:** Channel 1 IR Receiver. Connect with Wideband IR Rx
- 6 IR Out:** Channel 2 IR Transmitter. Connect with Wideband IR Tx.
- 7 RS-232:** Phoenix jack provide Serial port control signal from receiver or to receiver.
- 8 Service:** Manufacturer use only.
- 9 Ethernet:** This slot provides Internet signal from transmitter or to transmitter.
- 10 Connection Signal Indicator Lamp**

※Illuminate: The Transmitter and Receiver are in good connections status.

※Flashing: The Transmitter and Receiver are in poor connections status.

※Dark: The Transmitter and Receiver are not connected.

11 Data Signal Indicator Lamp

※Illuminate: The HDMI signal with HDCP.

※Flashing: The HDMI signal without HDCP.

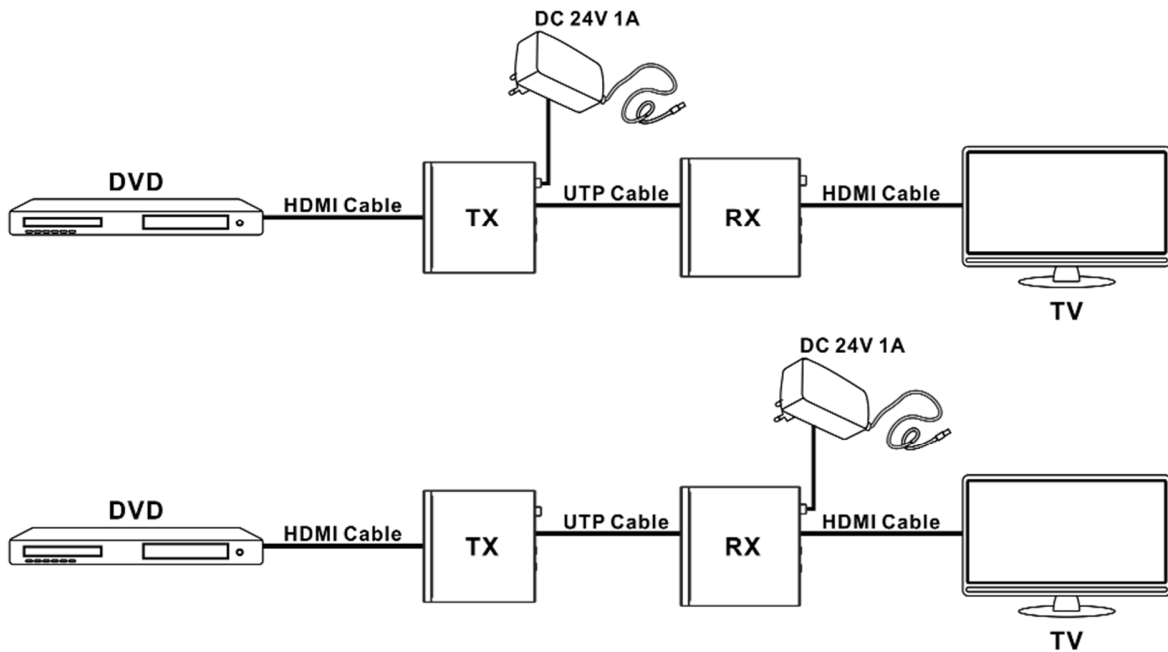
※Dark: No HDMI signal.

Model : ATZ HDBT-E100B

Description : HDBaseT™ Extender over Cat5e/Cat6, 18Gbps 4K@60 (100m)
[TX/RX]

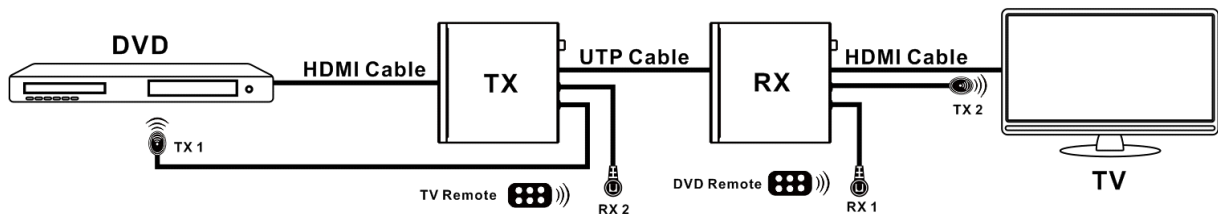
※ Description 1

POC (Power Over Cable) Application Example



※ Description 2

Bidirectional Infrared control Application Example

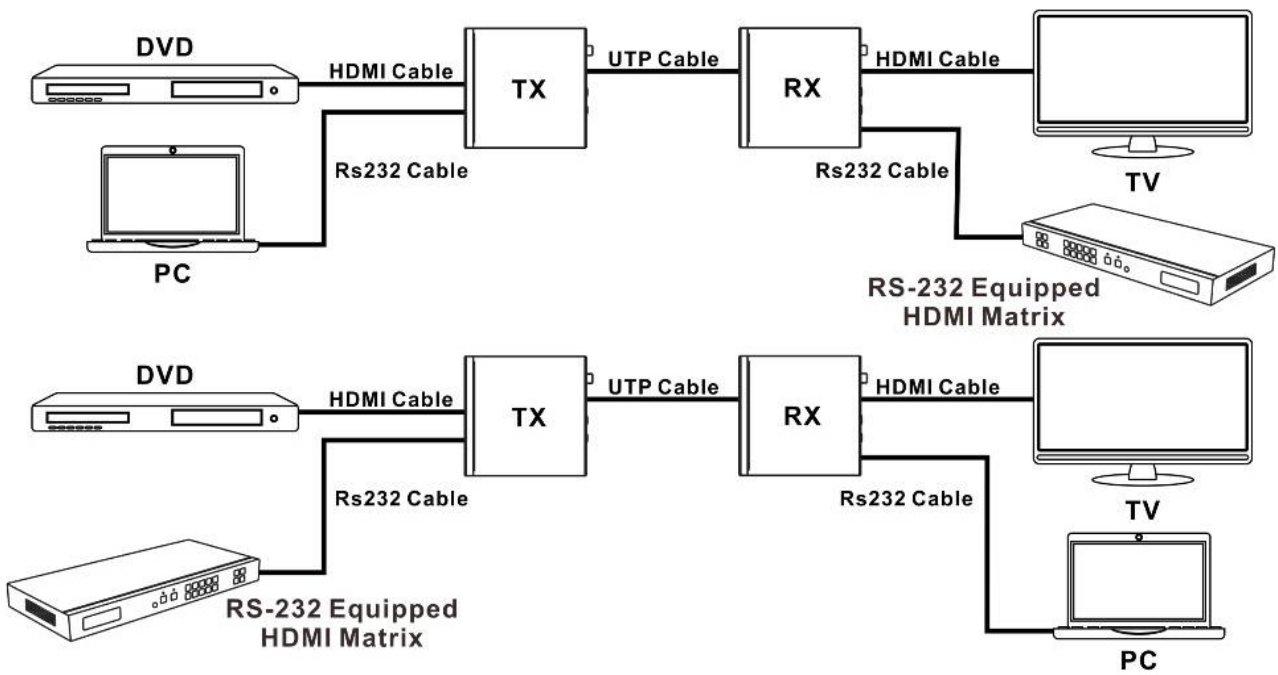


Model : ATZ HDBT-E100B

Description : HDBaseT™ Extender over Cat5e/Cat6, 18Gbps 4K@60 (100m)
[TX/RX]

※ Description 3

Bidirectional RS232 control Application Example

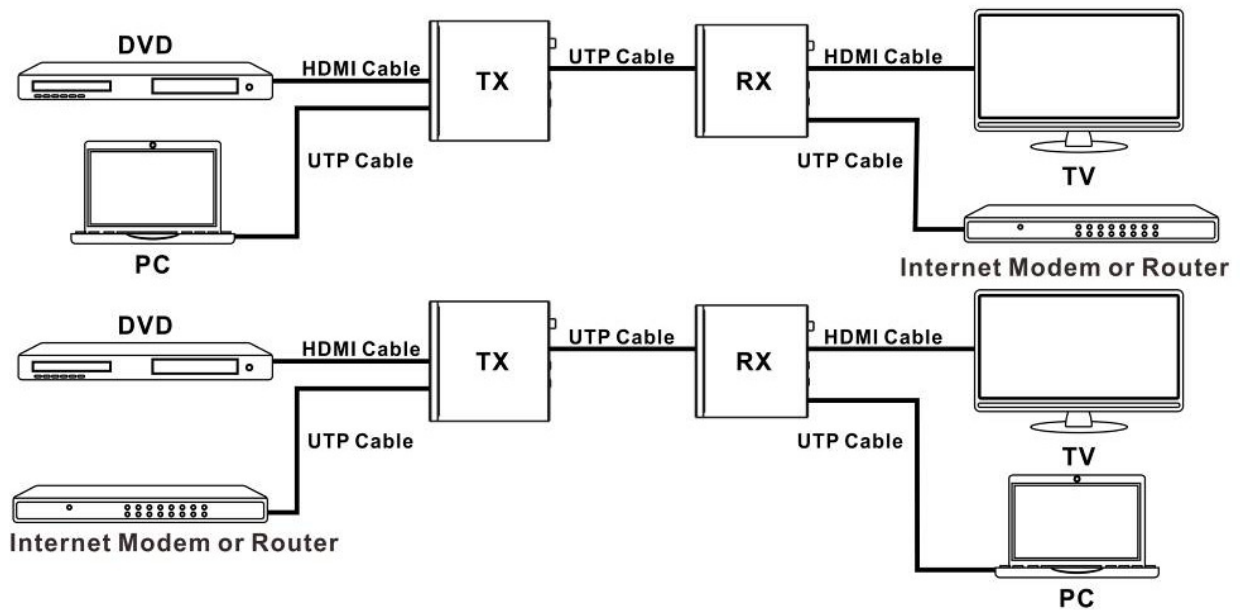


Model : ATZ HDBT-E100B

Description : HDBaseT™ Extender over Cat5e/Cat6, 18Gbps 4K@60 (100m)
[TX/RX]

※ **Description 4**

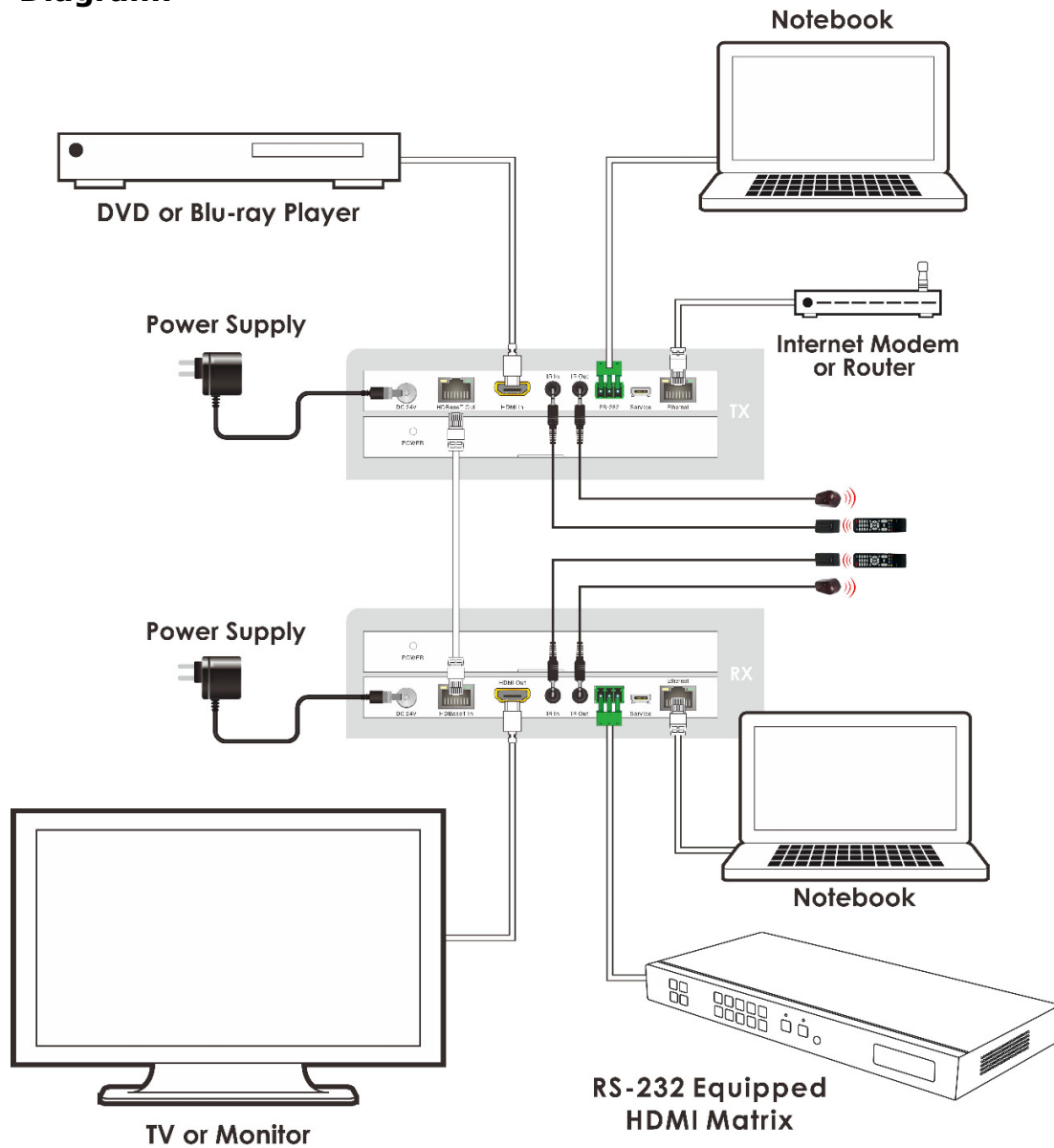
Bidirectional Ethernet signal Application Example



Model : ATZ HDBT-E100B

Description : HDBaseT™ Extender over Cat5e/Cat6, 18Gbps 4K@60 (100m)
[TX/RX]

Product Diagram:



Model : ATZ HDBT-E100B

Description : HDBaseT™ Extender over Cat5e/Cat6, 18Gbps 4K@60 (100m)
[TX/RX]

Package contents:

- 1 x HDMI 18Gbps Transmitter
- 1 x HDMI 18Gbps Receiver
- 2 x Wideband IR Tx
- 2 x Wideband IR Rx
- 1 x 24V/1A Power Adaptor
- 1 x User Manual

Warranty: 2 Years

Warranty is effective from the date of original delivery.

This warranty shall be void if a serial number has been removed from the product.