

Model : ATZ LKD1701W-D2

Description : 17.3" FHD(1080p) Dual Monitor LCD console Drawer + multi-input
DVI/VGA/Audio/USB Hub-**Dual Rail type**
- Optimize rack space. Maximize rack monitoring -



↑ (USB Port for device access)



pg. 1

Notes: - All brand names and trademarks are properties of their respective holders and are referred to here for descriptive purpose only. Photo attached is for reference only, it may be slightly varied in items of colour, shape from the actual item delivered from time to time.

All specifications are subject to change without prior notice.
© Copyright

Model : ATZ LKD1701W-D2

Description : 17.3" FHD(1080p) Dual Monitor LCD console Drawer + multi-input
DVI/VGA/Audio/USB Hub-**Dual Rail type**
- Optimize rack space. Maximize rack monitoring -

Features:

- 2U Dual 17.3 inch widescreen LCD Console Drawer
- Dual DVI & VGA Port
- 1920 x 1200 WUXGA Ultra high resolution
- Support FHD with 1080p resolution.
- Dual rail design , capable the LCD screen and keyboard tray Operated independently.
- Front 1xUSB, Rear 2xUSB 2.0 Type A, Sharing USB peripheral Device for computer (ex, flash disk, hard driver, KB/Mouse)
- 104-key keyboard with touch pad mouse.
- USB 2.0 Keyboard & Mouse
- Build in 2x 2 watts speakers

Optional:

- Composite Video input
- HDMI or Display Port input
- 3G / HD / SD –SDI Broadcast grade input
- 48V, 24V or 12V DC Power

Specifications:

Part No.		ATZ LKD1701W-D2
No. of ports		1
KVM Connectors		2 x DVI-D & 2x VGA / 1 x USB
LCD	Size	Dual 17.3 inch FULL HD display
	Backlight	LED
	Resolution	1920*1080 (support resolution up to 1920*1200)
	Max.color	262K
	Luminance	300 cd/m2
	View Angel (H/V)	140 / 120

Model : ATZ LKD1701W-D2

Description : 17.3" FHD(1080p) Dual Monitor LCD console Drawer + multi-input
DVI/VGA/Audio/USB Hub-**Dual Rail type**
- Optimize rack space. Maximize rack monitoring -

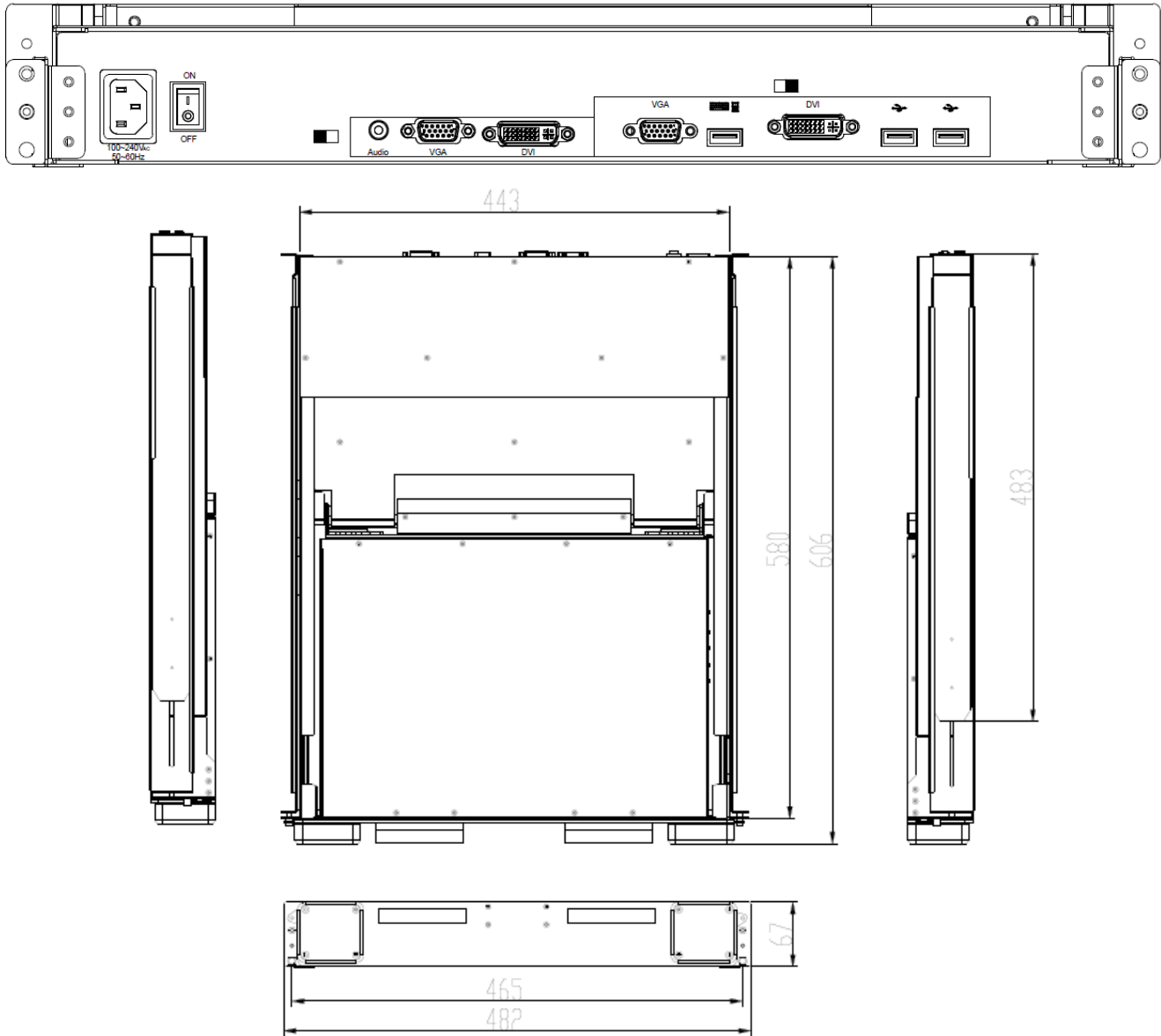
	Contrast Ratio	650 : 1
Port Selection		N/A
USB HUB		Yes , Front x1 & Rear x 2 USB 2.0 Type A for USB Peripheral Device
Audio		1 x 3.5mm Audio jack
KB/Mouse Emulation		USB 2.0
Rack Depth (rack cabinet front rails to rear rails)		580mm to 950mm
Power		100-240V AC 50/60Hz via IEC Type power cord
Environment		Operation temp: 0 to 50°C Storage temp: -20 to 60°C Humidity: 10% - 90%, non-condensing Shock: 10G acceleration (11ms duration) Vibration: 17 to 500Hz 1G PTP
Physical Dimensions (W x H x D) / Net Weights (KG)		443x63x580mm / 14.5
Packing Dimensions (W x H x D) / Gross weights (KG)		735x590x215mm / 19.0
Accessory		
1x 1.8meter IEC Type Power Cord 2x 1.8meter DVI Cable 2x 1.8meter VGA Cable 1x 1.8meter USB Cable 1x 1.8meter Audio Cable		

Model : ATZ LKD1701W-D2

Description : 17.3" FHD(1080p) Dual Monitor LCD console Drawer + multi-input
 DVI/VGA/Audio/USB Hub-**Dual Rail type**
 - Optimize rack space. Maximize rack monitoring -

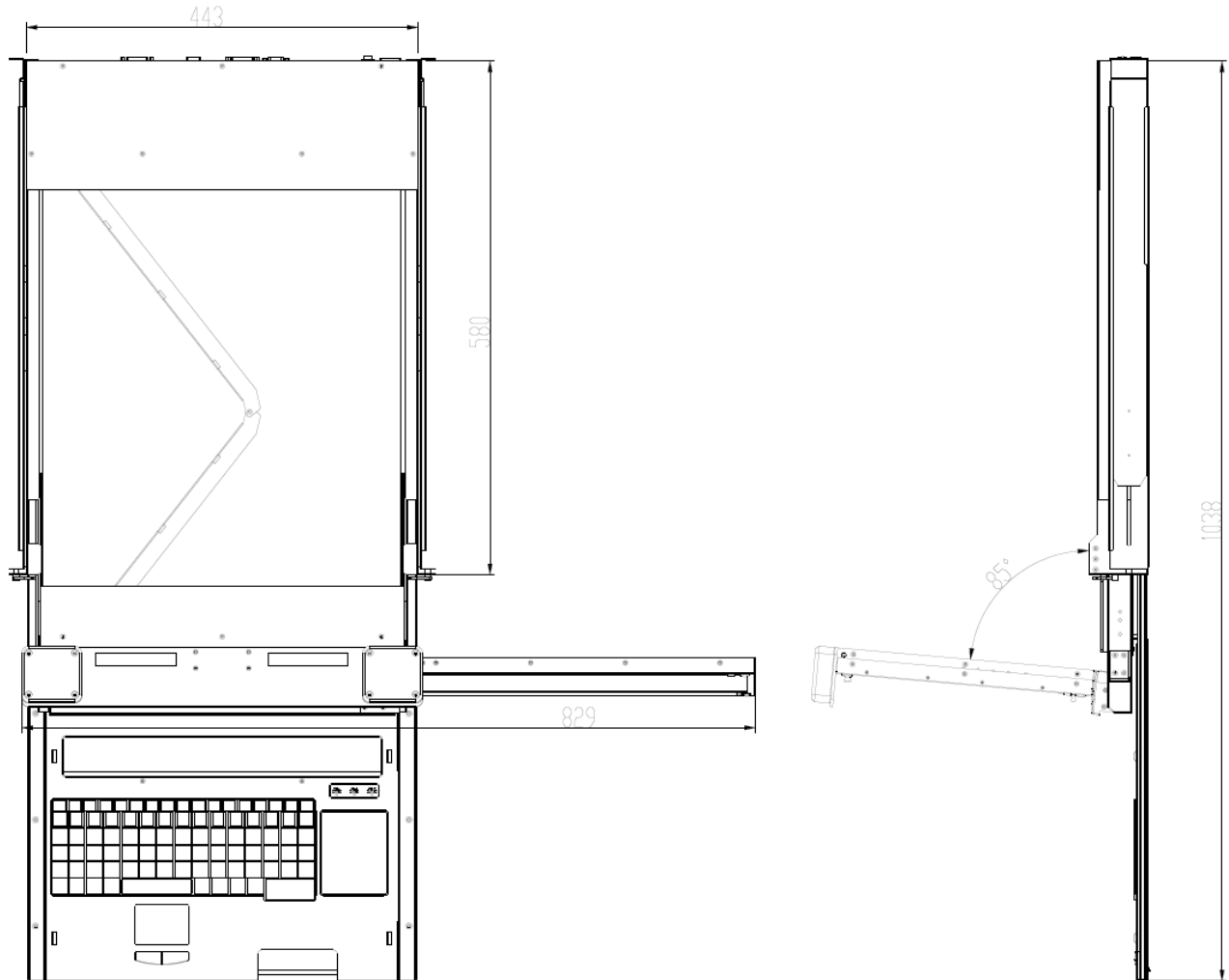
Product Diagram:

Rear of ATZ-LKD1701W-D2



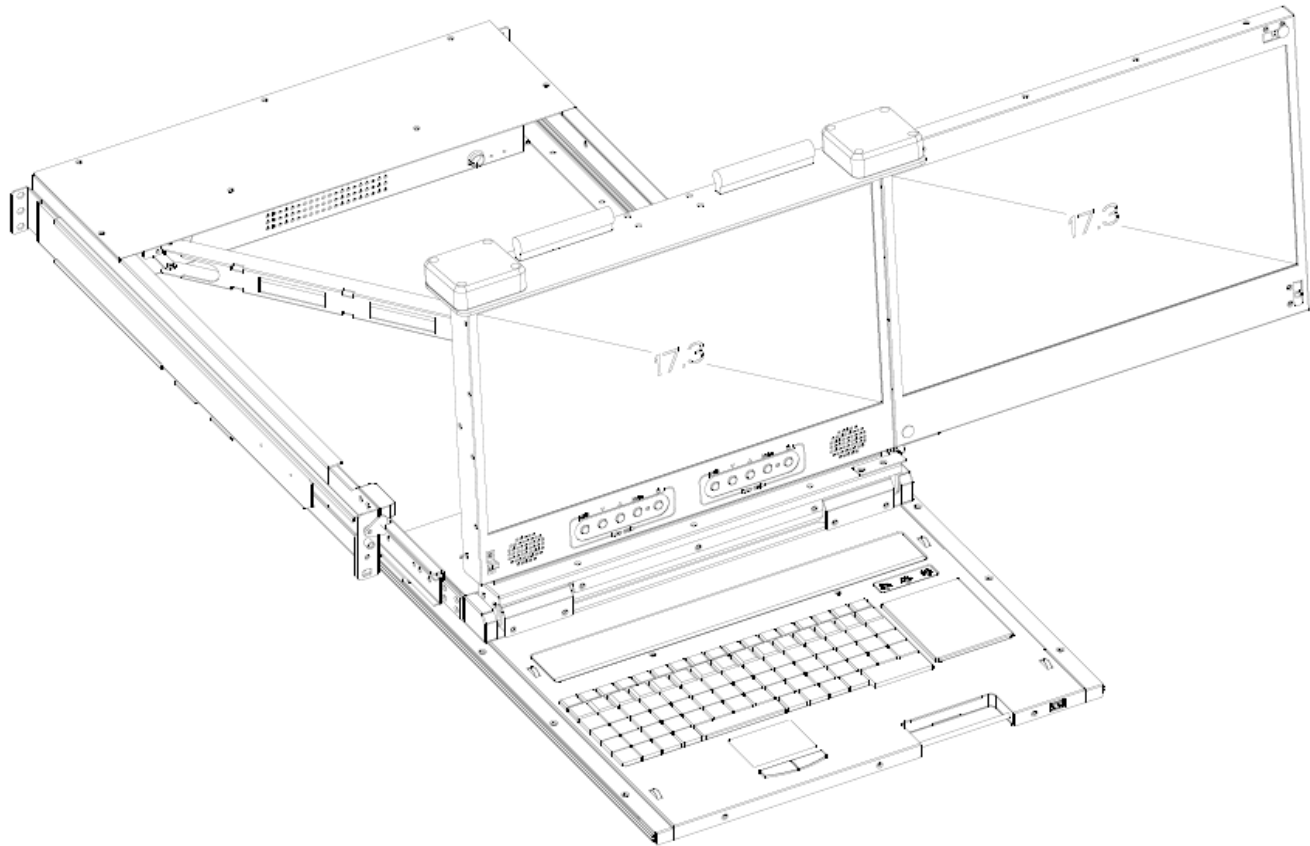
Model : ATZ LKD1701W-D2

Description : 17.3" FHD(1080p) Dual Monitor LCD console Drawer + multi-input
DVI/VGA/Audio/USB Hub-**Dual Rail type**
- Optimize rack space. Maximize rack monitoring -



Model : ATZ LKD1701W-D2

Description : 17.3" FHD(1080p) Dual Monitor LCD console Drawer + multi-input
DVI/VGA/Audio/USB Hub-**Dual Rail type**
- Optimize rack space. Maximize rack monitoring -



Warranty: 3 Years

Warranty is effective from the date of original delivery.

This warranty shall be void if a serial number has been removed from the product.