

**Model** : ATZ LK1701\_1708\_1716S-SD

**Description** : 17" Combo LCD KVM Console Drawers. (Short Depth Version)  
- Optimize rack space. Maximize rack monitoring -



ATZ range of LCD console drawers provides a variety of features that simplify to access servers to making system monitoring, troubleshooting and software upgrades.

The self-locking rails when in the fully extended open position and the ultra-convenient auto lock release when the LCD panel is closed, make for simple and hassle free operation.

Available in 17" A-Grade LCD panels, combo Single, 8 or 16 port integrated KVM switch.

### Features:

- Support combo interface, VGA-USB & VGA-PS/2.
- Short depth design suit for mobile rack and limited space.
- Durable 88-key keyboard and touch pad.
- Quick and simple installation.
- Self-locking and auto release rails for ultra-convenience.
- Port selection via push buttons or On-Screen-Display (OSD).
- Dedicated daisy chain port to expand up to 240 servers.

**Model** : ATZ LK1701\_1708\_1716S-SD

**Description** : 17" Combo LCD KVM Console Drawers. (Short Depth Version)

- Optimize rack space. Maximize rack monitoring -

## Specifications:

Part No.		ATZ LK1701S-SD	ATZ LK1708S-SD	ATZ LK1716S-SD
Direct no. of Computers		1	8	16
Maximum no. of Computers		1	232(Daisy Chain)	240(Daisy chain)
LCD	Size	17"		
	Backlight	LED		
	Resolution	1280*1024		
	Max.color	16.7M		
	Luminance	250cd/m2		
	View Angel (H/V)	176 / 170		
	Contrast Ratio	1000 : 1		
Port Selection		N/A	Push Button, OSD or Hotkey	
USB Local console / Expansion Slot		N/A		
KB/Mouse Emulation		USB & PS2		
Rack Depth		450mm to 650mm ( rack cabinet front rails to rear rails ) for 380mm depth (rear mounting bracket: ATZ BKT-457-620, is sold separately)		
Power		100-240V AC 50/60Hz via IEC Type power cord		
Environment		Operation temp: 0 to 50°C Storage temp: -20 to 60°C Humidity: 10% - 90%, non-condensing Shock: 10G acceleration ( 11ms duration) Vibration: 17 to 500Hz 1G PTP		
Physical Dimensions / Net Weights		443x42x457.2mm (WxHxD) /14KG		
Packing Dimensions / Gross weights		715x140x600mm (WxHxD) /17KG		

**Model** : ATZ LK1701\_1708\_1716S-SD

**Description** : 17" Combo LCD KVM Console Drawers. (Short Depth Version)

- Optimize rack space. Maximize rack monitoring -

### Accessory

- 1x 1.8meter IEC Type Power Cord
- 1x 1.8meter VGA& PS2Cable
- 1x 1.8meter USB A Type Cable (for ATZ LK1701S-SD )

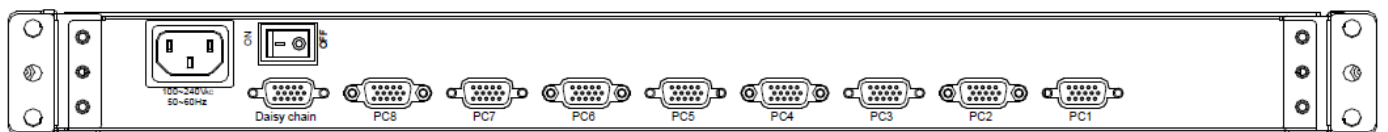
### Related Items

ATZ-KCU-1.8	1.8meter 2-in-1 KVM Cable-USB & VGA
ATZ-KCU-3	3.0meter 2-in-1 KVM Cable-USB & VGA
ATZ-KCU-5	5.0meter 2-in-1 KVM Cable-USB & VGA
ATZ KCP-1.8	1.8meter 3-in-1 KVM Cable-PS/2 & VGA
ATZ KCP-3	3.0meter 3-in-1 KVM Cable-PS/2 & VGA
ATZ KCP-5	5.0meter 3-in-1 KVM Cable-PS/2 & VGA

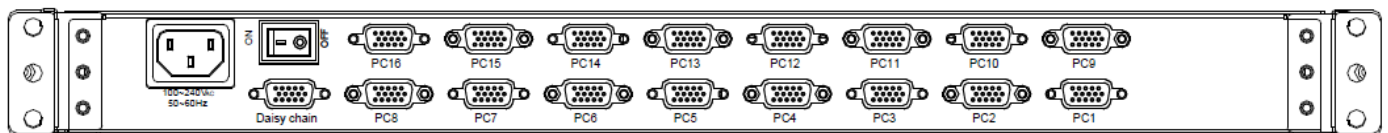
### Product Diagram:



ATZ LK1701SD



ATZ LK1708SD

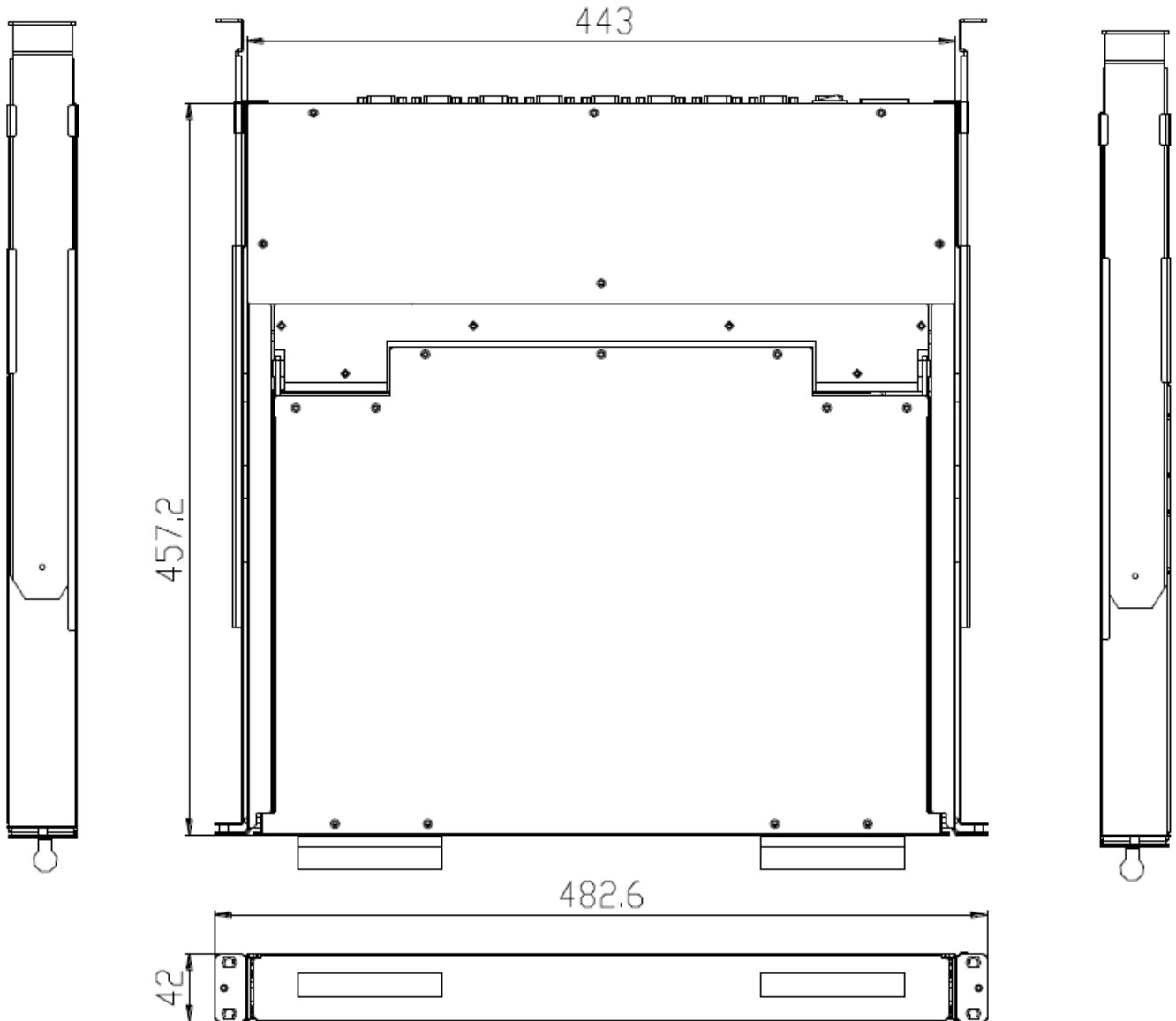


ATZ LK1716SD

**Model** : ATZ LK1701\_1708\_1716S-SD

**Description** : 17" Combo LCD KVM Console Drawers. (Short Depth Version)

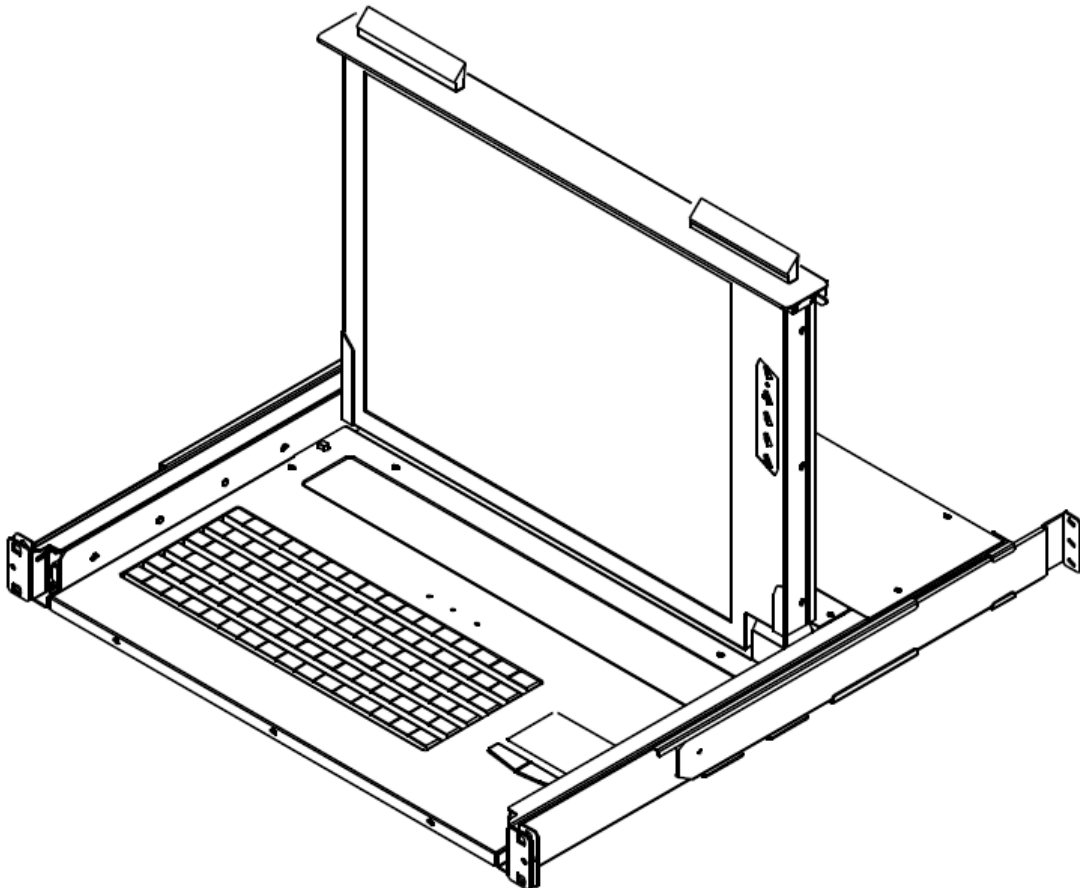
- Optimize rack space. Maximize rack monitoring -



**Model** : ATZ LK1701\_1708\_1716S-SD

**Description** : 17" Combo LCD KVM Console Drawers. (Short Depth Version)

- Optimize rack space. Maximize rack monitoring -



**Warranty: 3 Years**

Warranty is effective from the date of original delivery.

This warranty shall be void if a serial number has been removed from the product.