

Model : ATZ HDMI-V2-31L

Description : HDMI Switch 4K 60HZ 3x1 HDMI v2.0 Switcher

(Support HDCP 2.2 HDR 3D with IR Remote Compatible for PS4 Pro Xbox One 360 Fire TV)



Features:

- Support HDMI 3-to-1 4K HDMI v2.0 input sources (connect to PS4 Pro, Xbox One, Nintendo Wii, Blu-ray/DVD player, Apple TV, Chromecast, PC/laptop, etc.) to one 4K Display
- Supports 4K@60Hz 4:4:4 HDR (4096x2160) 18Gbps transmission speed, 3D, deep color up to 36bit.
- Support HDCP 2.2/1.4, HDMI CEC. HDMI channel bandwidth up to 600MHz. Backward compatible with HDMI V1.4, V1.3 . Enjoy high picture quality without any video loss and delay by this HDMI 3 to 1 switcher
- Supports Auto-switching, Manual-switching & Control via IR remote:
Automatic switching – Jumps to next active input port automatically when the current port is powered off. It will also switch to the last selected port automatically, and at restart. To reset back to manual-switching, press "Select" button for 5-10 seconds to switch mode.
- Supports Input devices: Computer, DVD player, Blu-ray player, Amplifier, Apple TV, Roku streaming media player, TV Box, Play Station 3/4, Xbox One/360, Nintendo Wii.
- Supports Output devices: Ultra 4K TV (UHD TV), HDTV, monitor, display or projector.

Model : ATZ HDMI-V2-31L

Description : HDMI Switch 4K 60HZ 3x1 HDMI v2.0 Switcher

(Support HDCP 2.2 HDR 3D with IR Remote Compatible for PS4 Pro Xbox One 360 Fire TV)

Specifications:

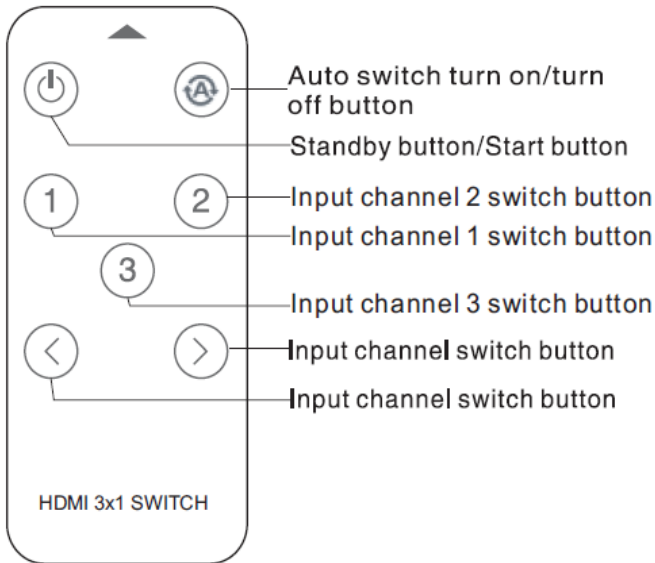
Input channel	3 port
Output channel	1 port
Video format	480P/720P/1080P/2160P
Deep color	8/10/12Bit@480P/720P/1080P 8Bit@2160P
Audio format	Dolby HD/DTS HD/Dolby Atoms/Dolby AC3/DTS/LPCM.....
Transmission bandwidth	25~600MHz
Transmission rate	0.75~18Gbps
Auto switch	Support
IR distance	≥4m
Timing	Support
Input cable length	2160P/AWG 26 ≤5m 1080P/AWG 26 ≤10m
Output cable length	2160P/AWG 26 ≤5m 1080P/AWG 26 ≤10m
DC input specification	DC 5V/1A
Max working current	220mA
Working temperature range	0 ~ +40°C
Working humidity range	5 to 85%RH (No Condensation)
Storage temperature	-15 to 55°C
Storage humidity	5 ~95%RH(No Condensation)
Size	82x58.5x18.4(mm)
Weight	48g
Accessories	Manual, Remote, USB Cable

Model : ATZ HDMI-V2-31L

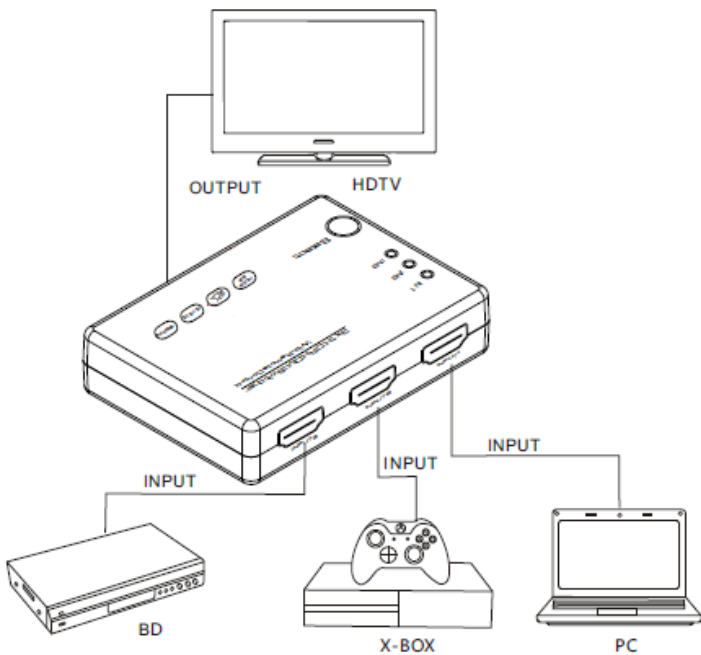
Description : HDMI Switch 4K 60HZ 3x1 HDMI v2.0 Switcher

(Support HDCP 2.2 HDR 3D with IR Remote Compatible for PS4 Pro Xbox One 360 Fire TV)

IR Remote Control:



Connection and operation:



1. To use HDMI cable to connect the HD source with the HDMI input port of device.
2. To use HDMI cable to connect the HDMI output port of device with the display.
3. To use the USB 2.0 TO DC 5.5MM power cable to connect the DC5V Port of the device with USB Power source like TV or USB Power Docking.
4. Manually Press "Select" button at device or press the button at remote to operate the device.
5. To press the "A" button at remote or press the "Select" button for lasting five seconds, it can turn on or turn off the auto switch function. When the input channel led light flash for one time, the auto switch is turned on; when the input channel led light flash for three times, the auto switch function is closed.

Model : ATZ HDMI-V2-31L

Description : HDMI Switch 4K 60HZ 3x1 HDMI v2.0 Switcher

(Support HDCP 2.2 HDR 3D with IR Remote Compatible for PS4 Pro Xbox One 360 Fire TV)

Product Diagram:

Easy to Switch Between 3 Sources such as PS4, DVD Player, Camera



Model : ATZ HDMI-V2-31L

Description : HDMI Switch 4K 60HZ 3x1 HDMI v2.0 Switcher

(Support HDCP 2.2 HDR 3D with IR Remote Compatible for PS4 Pro Xbox One 360 Fire TV)

Package contents:

1x HDMI Switch
1x User Manual
1x Remote control
1x IR Cable
1x USB Cable (optional power)

Warranty: 2 Years

Warranty is effective from the date of original delivery.

This warranty shall be void if a serial number has been removed from the product.